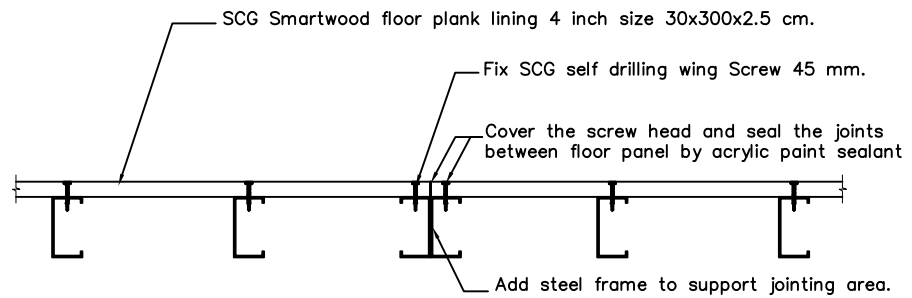
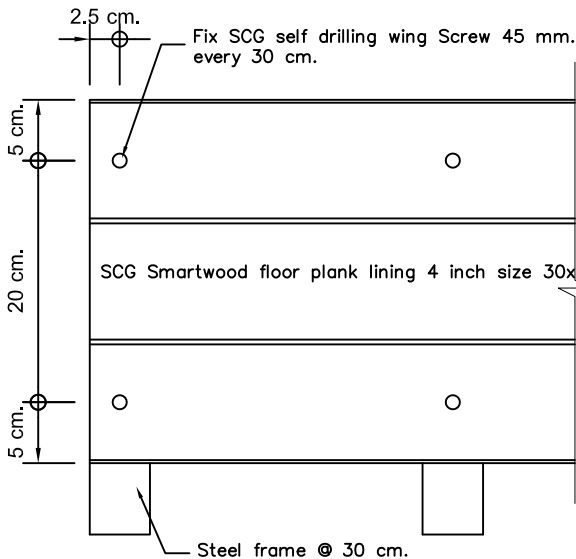


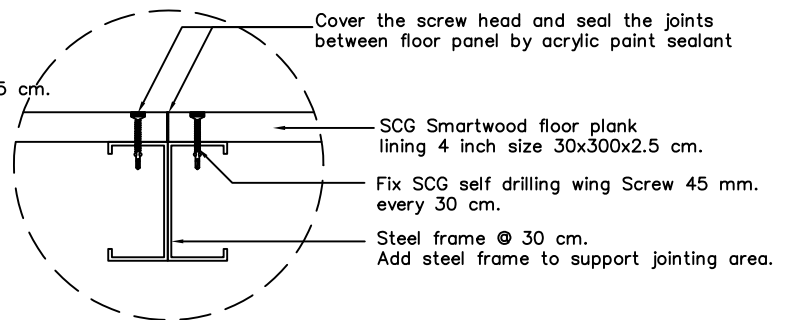
PLAN



SECTION

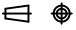


Screw spacing



Jointing area, between floor plank

DIMENSIONS...MM.	NAME	DATE
DRAWN : .RATHACHART Y.		25/03/2557
DESIGNED : .		.
CHECKED : .ATCHARA V.		.
APPROVED : .WIPANU I.		.
CANCEL DWG.NO. : .		.
REFER DWG.NO. : .		.

	SCALE : NOT TO SCALE	PAGE : 1/3
Installation of SCG Smartwood Floor Plank lining 4 inch series on steel frame		

DIR/FILE :