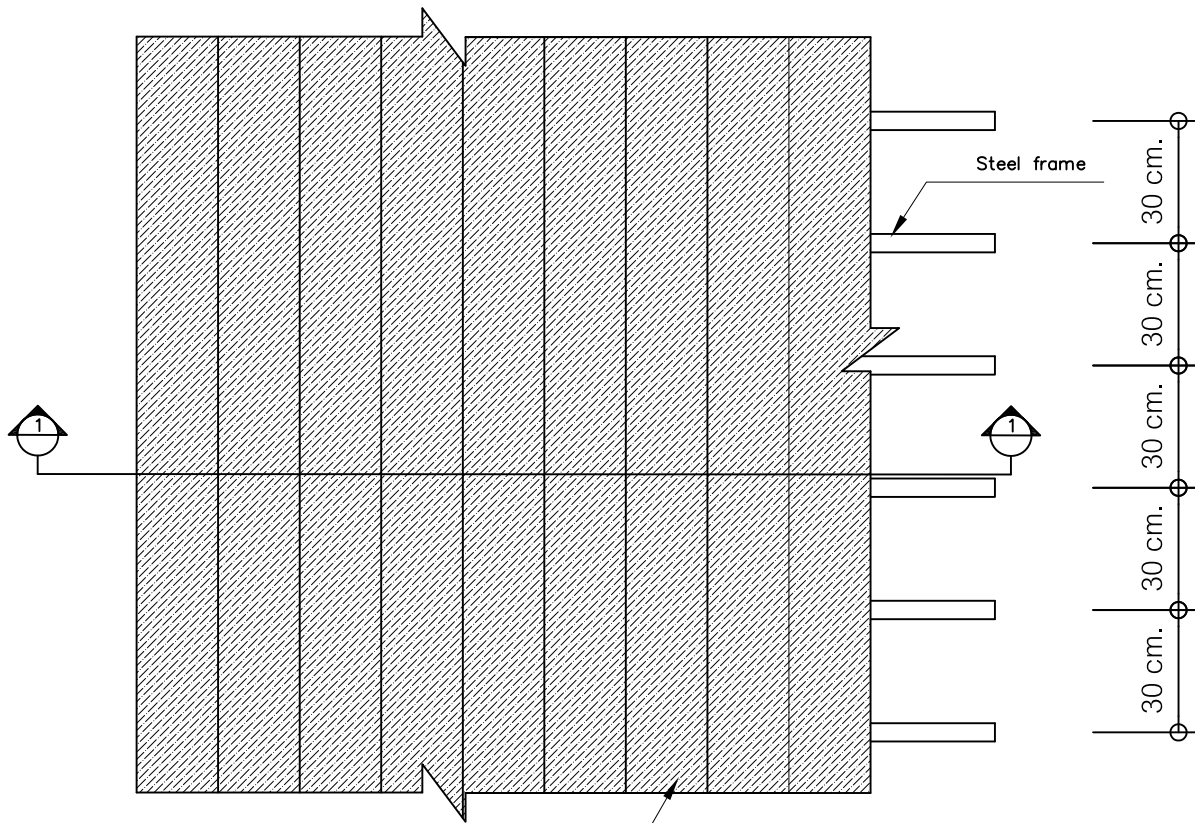
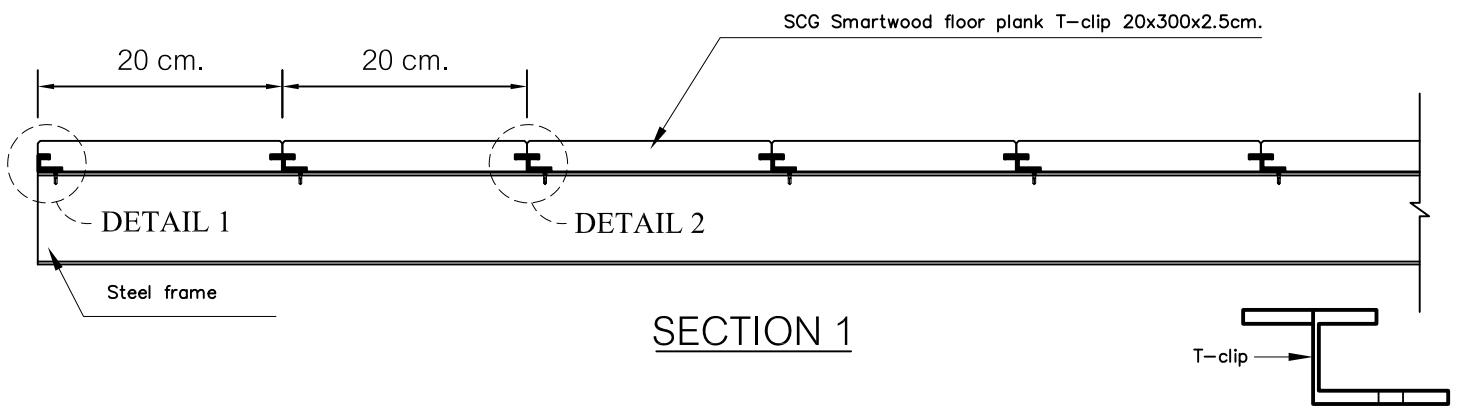


Installation of SCG Smartwood floor plank T-clip series with steel frame



SCG Smartwood floor plank T-clip series 20x300x2.5cm.

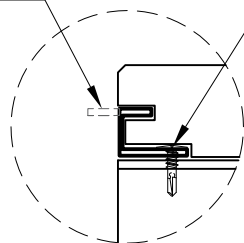
PLAN



SECTION 1

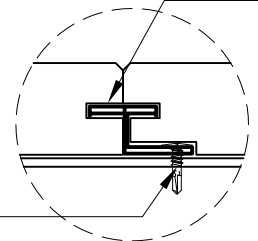
T-clip cut 1 side

SCG Screw drilling wafer head



DETAIL 1

T-clip



SCG Screw drilling wafer head

DETAIL 2

DIMENSIONS....MM.	NAME	DATE
DRAWN :	Battachart Y.	21/04/2557
DESIGNED :	Weekit K.	.
CHECKED :	Achara V.	.
APPROVED :	Wipanu L.	.
CANCEL DWG.NO. :	.	.
REFER DWG.NO. :	.	.

SCALE : NOT TO SCALE PAGE : 1/1

Installation of SCG Smartwood floor plank T-clip series with steel frame

DIR/FILE :