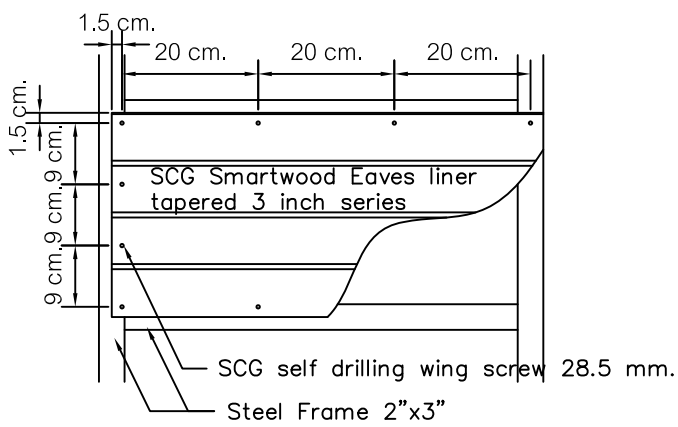
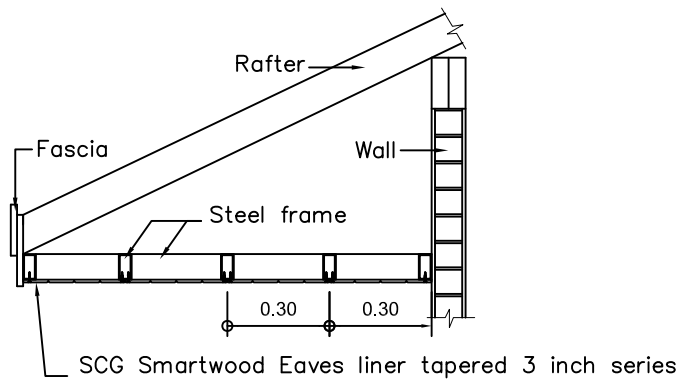


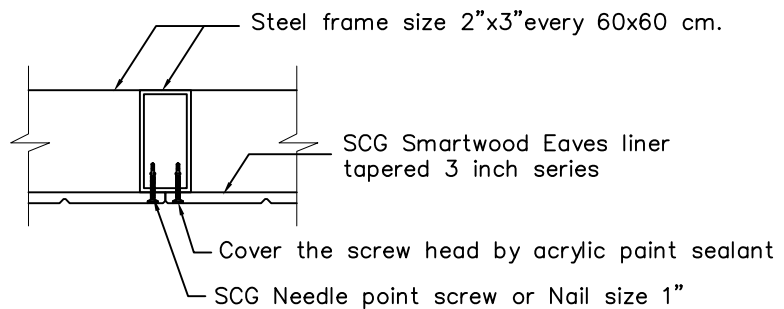
PLAN



Screw Spacing



SECTION



Detail

DIMENSIONS...MM.	NAME	DATE
DRAWN : .RATTHACHART Y.		25/03/2557
DESIGNED : .		.
CHECKED : .ATCHARA V.		.
APPROVED : .WIPANU I.		.
CANCEL DWG.NO. : .		.
REFER DWG.NO. : .		.



SCALE : NOT TO SCALE

PAGE : 2/2

Installation of SCG Eaves liner tapered 3 inch series (Steel Frame)

DIR/FILE :

SCG Smartwood

