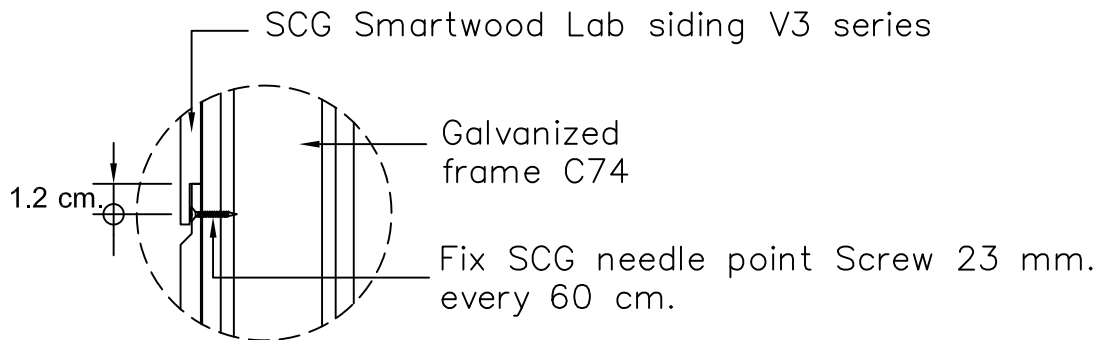
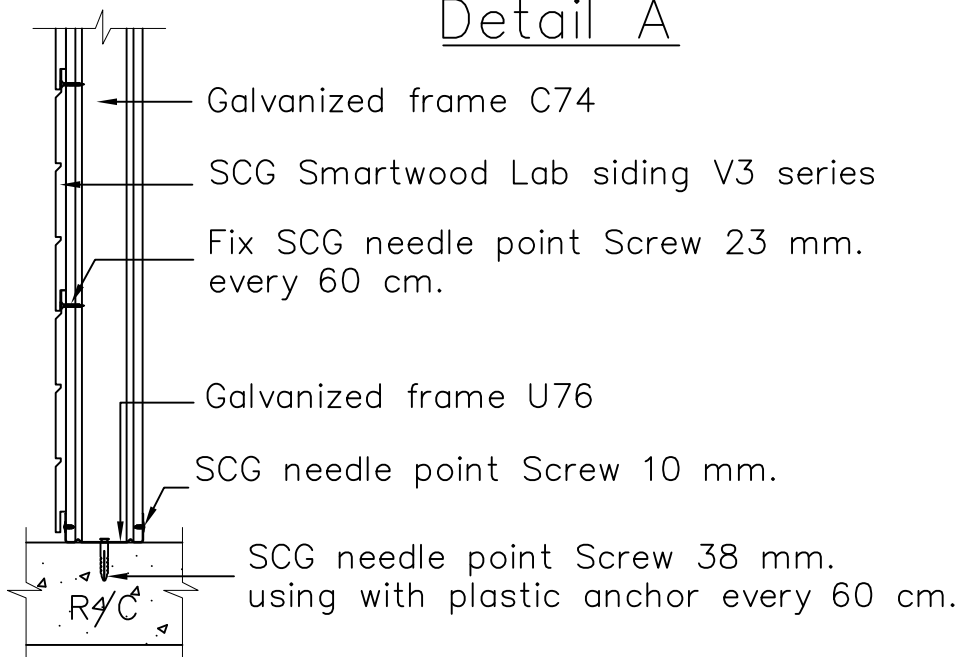


PLAN



Detail A



SECTION

DIMENSIONS...MM.	NAME	DATE	◀ ⊗	SCALE : NOT TO SCALE	PAGE : 4/7
DRAWN : .RATTACHART Y.		25/03/2557			
DESIGNED : .					Installation of SCG Smartwood Lap Siding V3 Series (Galvanized frame)
CHECKED : .ATCHARA V.					
APPROVED : .WIPANU I.					
CANCEL DWG.NO. : .					
REFER DWG.NO. : .					
CEMENT-BUILDING MATERIALS CO.,LTD.			DIR/FILE :	SCG Smartwood	