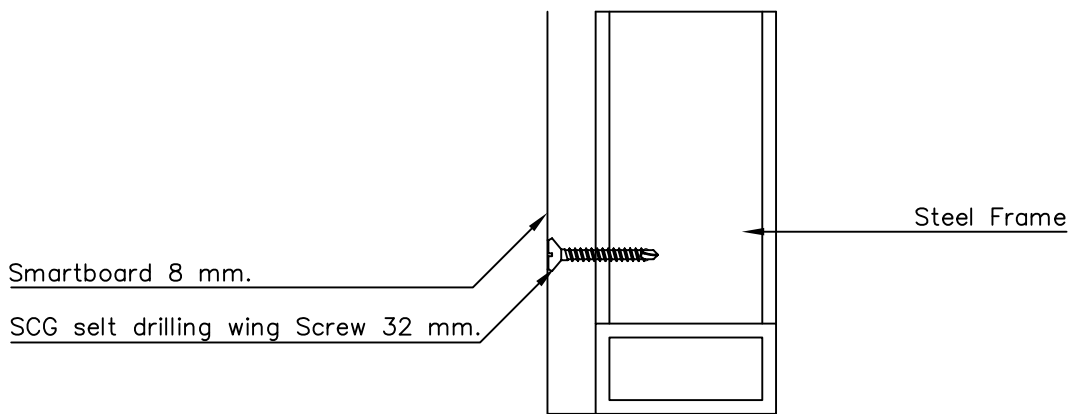


Installation Frame



Section

DIMENSIONS...MM.	NAME	DATE		SCALE : NOT TO SCALE	PAGE : 3/13
DRAWN : .RATTHACHART Y.		22/04/2557		Installation of SCG Smartboard, curve wall SCG Smartboard	
DESIGNED : .DEJA W.		.			
CHECKED : .DEJA W.		.			
APPROVED : .BODIN D.		.			
CANCEL DWG.NO. : .		.			
REFER DWG.NO. : .	DIR/FILE :				
CEMENT-BUILDING MATERIALS CO.,LTD.					