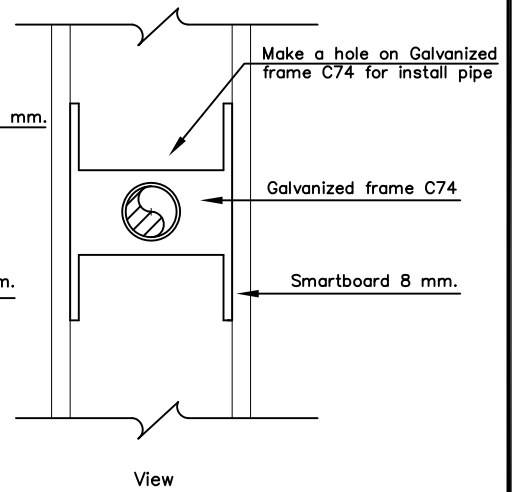
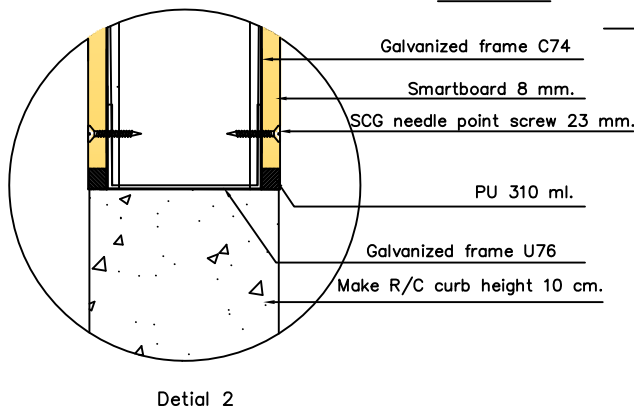
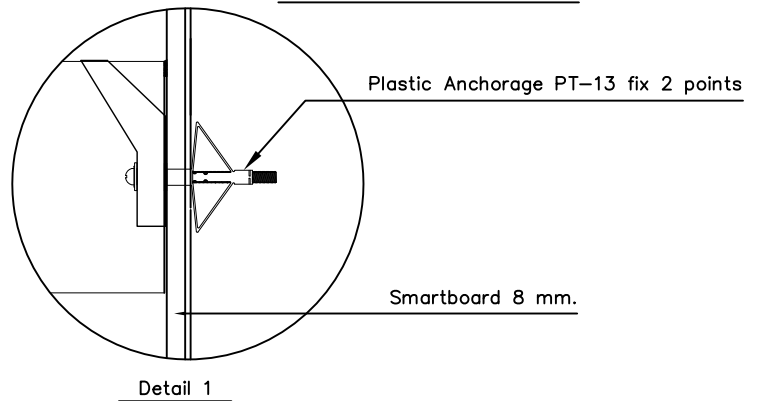
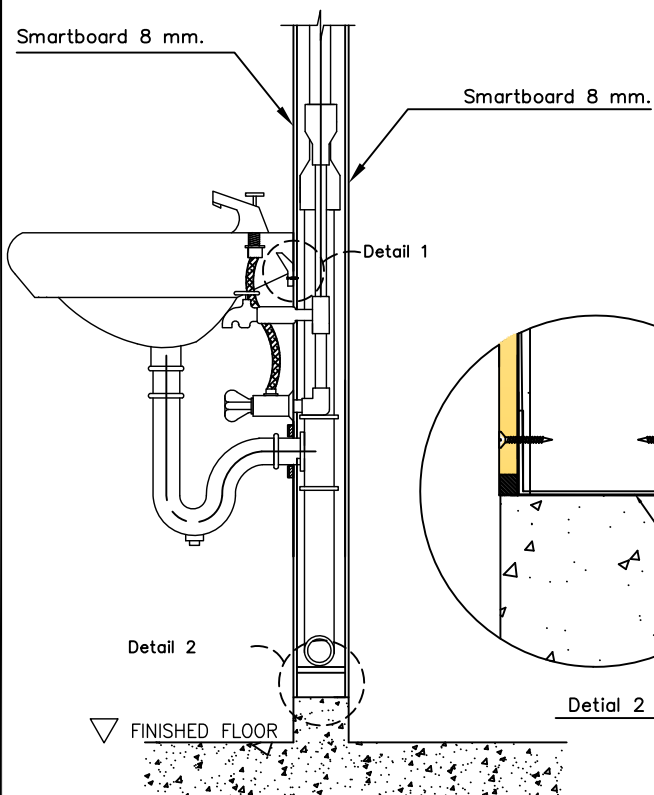


Installation wall system

Pipe Installation(Inside the wall)



DIMENSIONS...MM.	NAME	DATE
DRAWN : .RATHACHART Y.		22/04/2557
DESIGNED : .DEJA W.		
CHECKED : .DEJA W.		
APPROVED : .BODIN D.		
CANCEL DWG.NO. : .		
REFER DWG.NO. : .		

	SCALE : NOT TO SCALE	PAGE : 4/13
Installation pipe in Smartboard wall system		
DIR/FILE :		