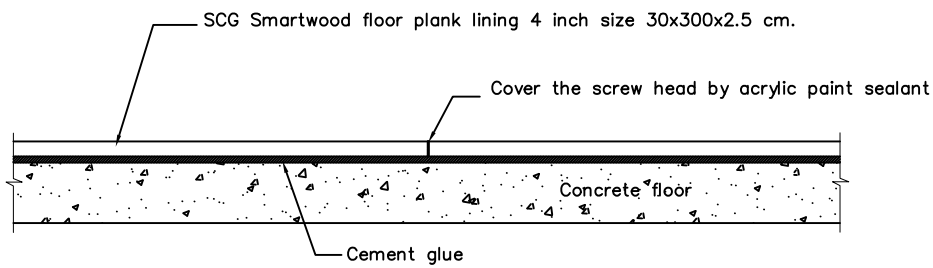
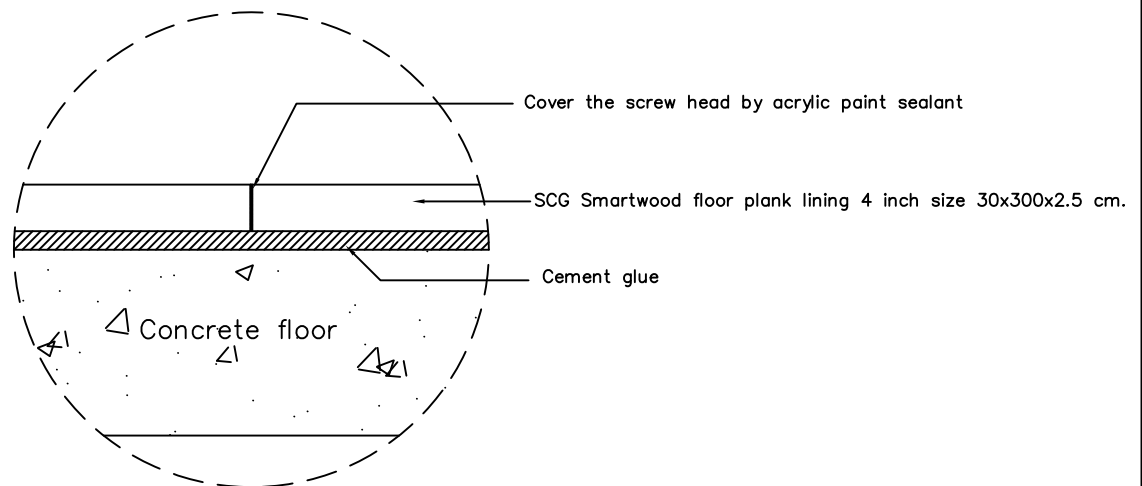



PLAN



SECTION



Joint Area, between floor plank

DIMENSIONS...MM.	NAME	DATE	☰	SCALE : NOT TO SCALE	PAGE : 2/3
DRAWN : .RATHACHART Y.		25/03/2557	☉	Installation of SCG Smartwood Floor Plank lining 4 inch series on concrete floor	
DESIGNED : .					
CHECKED : .ATCHARA V.					
APPROVED : .WIPANU I.					
CANCEL DWG.NO. : .					
REFER DWG.NO. : .	DIR/FILE :				
CEMENT-BUILDING MATERIALS CO.,LTD.					