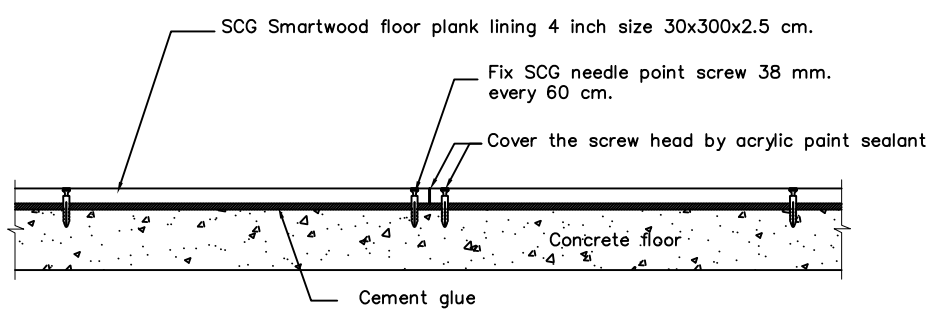
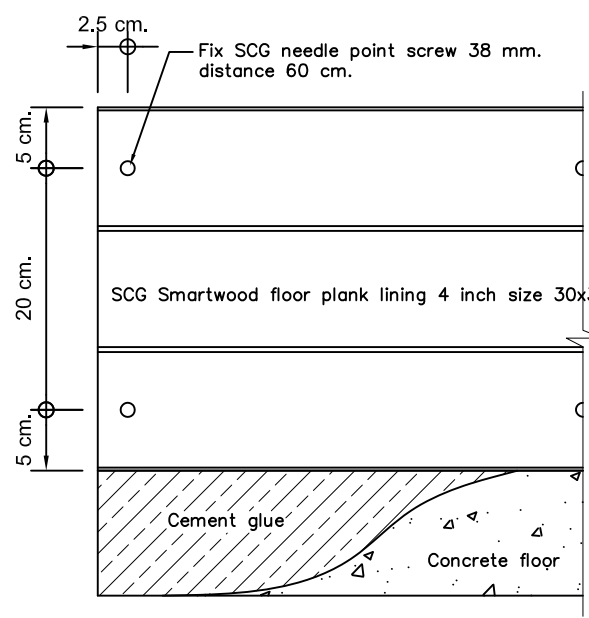


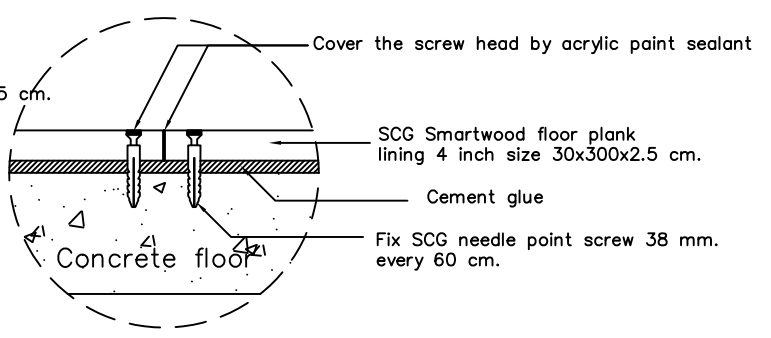
PLAN



SECTION



Screw spacing



Joint Area, between floor plank

DIMENSIONS...MM.	NAME	DATE	SCALE : NOT TO SCALE	PAGE : 3/3
DRAWN : .RATTHACHART Y.		25/03/2557		
DESIGNED : .			Installation of SCG Smartwood Floor Plank lining 4 inch series on concrete floor with Anchors	
CHECKED : .ATCHARA V.				
APPROVED : .WIPANU I.				
CANCEL DWG.NO. : .			DIR/FILE :	
REFER DWG.NO. : .				
CEMENT-BUILDING MATERIALS CO.,LTD.			SCG Smartwood	